

Mechanical water meter Q water 4 (WEH)

Mechanical MID-conform meter for determining water consumption in water supply systems.

The mechanical water meter Q water 4 (WEH) is designed as a single-jet dry running meter in compact design, is available in the nominal flow rates Q_3 2,5 m³/h and Q_3 4,0 m³/h.

Application

The mechanical water meter used for measuring water quantities. The main areas of application are in water supply systems where the water is outputted individually to different consumers.

This is meaningful in:

- 】 Apartment buildings
- 】 Offices and administration buildings

Typical users are:

- 】 Private building owners
- 】 Housing associations
- 】 Building service companies
- 】 Property management compaies

Functions

- 】 Measurement of water consumption
- 】 Display of consumption values

Technology

Measuring principle

The meter operates based on the single-jet measuring principle where the water jet hits the impeller tangentially. The impeller's speed is sensed magnetically.

Mechanical design

Design and counter

The water meter consists of the fitting containing the impeller sensor and the counter. It is designed as a compact device; the flow measuring part and the totalizer form one unit. The fitting is made of brass. It contains the measuring chamber with the single-jet impeller transmitter. The inlet connection contains a sieve to trap larger dirt particles. The totalizer, which is designed as a dry-running meter, is located on the fitting. It is located under a transparent plastic cover. The display includes an eight-digit roller counter for the consumption level, a pointer for the momentary consumption and a star as a flow rate indicator.

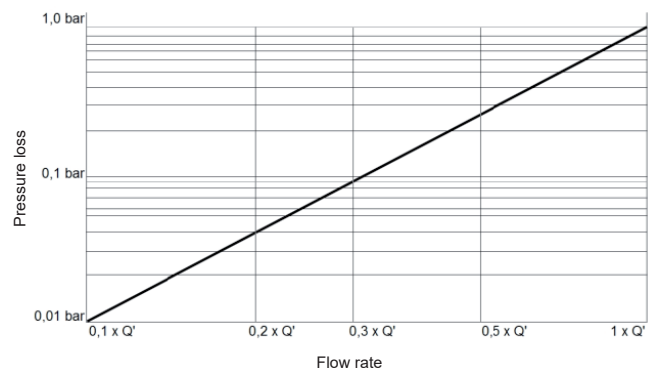
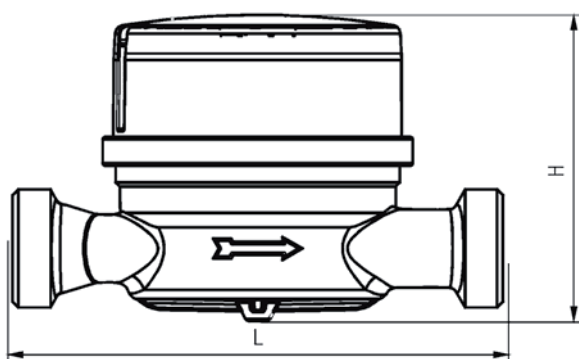
Direct connection

The water meter for direct connection has a flow measuring section with two externally threaded connections. Fittings are used to mount it directly into the piping. The totalizer can be swivelled through 360°.

The water meter is equipped with a QUNDIS-specific Data Matrix code. It is located on the meter's marking plate, on the packaging and on the outer packaging and contains the serial number, the complete article number, the year of the conformity assessment and the number of products.

Technical Data

Meter type		WMM4 xxxx 0	WMM4 xxxx 1	WMM4 xxxx 2
Meter size / permanent flowrate Q_3	m_3/h	2,5		4
corresponds to previous nominal size Q_n	m_3/h	1,5		2,5
Connection thread		G 3/4"		G 1"
Performance data				
Overload flow rate Q_4	m_3/h	3,125		5.000
Transition flow rate Q_2	(H/V) l/h	50/100		80/160
Min. Flow Rate Q_1	(H/V) l/h	31,25/62,5		50/100
Measuring range (MID) Q_3/Q_1	(H/V)	R80/R40		R80/R40
Permanent flowrate Q_3	l/h	2.500		4.000
Temperature class MAT	$^{\circ}C$	Cold water T30 Hot water T30/T90		
Perm. operating pressure MAP	bar	16		
Mechanical class		M1		
Protection rating		IP 64		
Inflow/outflow zone		U0 / D0		
Length L	mm	80	110	130
Height H	mm	69	69	69
Nominal width DN	mm	15	15	20
Weight	kg	0,4	0,4	0,6
Start-up	l/h	8	8	15
Ambient conditions		Ambient class B; temperature range 5 - 55 $^{\circ}C$		
Drinking water approvals / Certificates		Germany: KTW, W270, France: ACS / DVGW		



✉ **QUNDIS GmbH**

Sonnentor 2
99098 Erfurt / Germany

☎ +49 (0) 361 26 280-0

☎ +49 (0) 361 26 280-175

✉ info@qundis.com

www.qundis.com

The information in this data sheet only contains general descriptions or product characteristics, which may not always apply in particular application cases and/or may be subject to change through further development of the product. Required product characteristics are then binding if they are expressly agreed when the contract is drawn up.
©2020 QUNDIS GmbH. Subject to change.